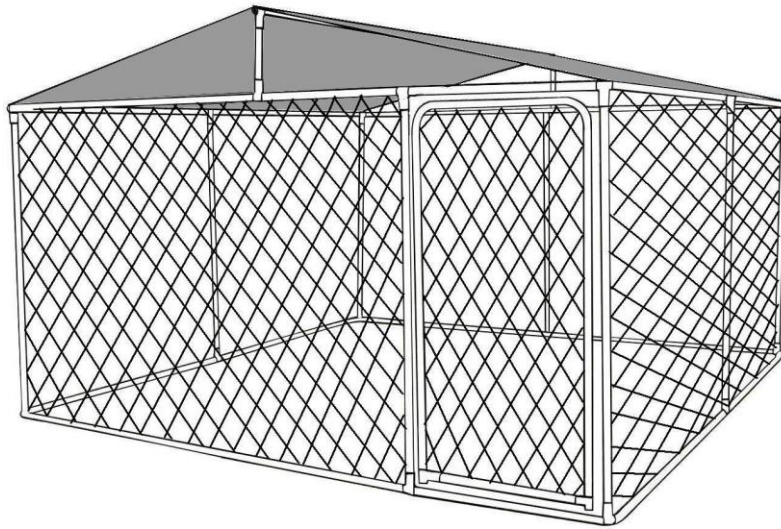
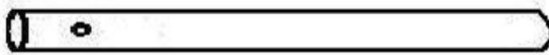
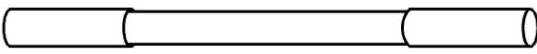
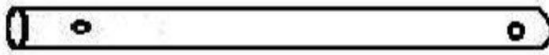

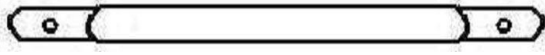
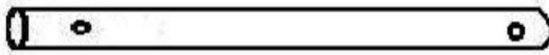
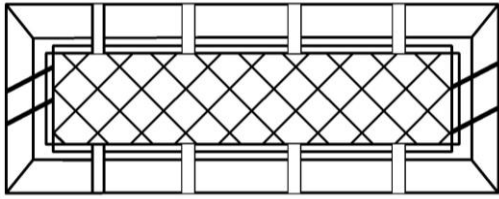
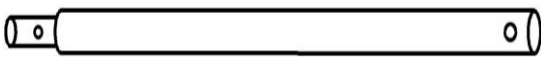
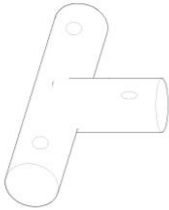
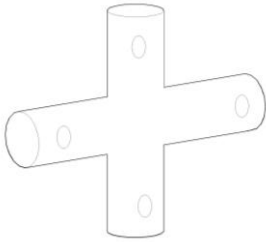
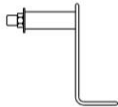
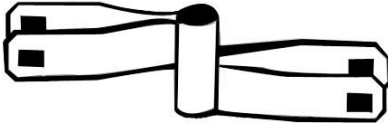

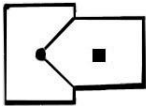
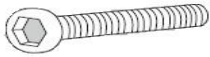






3X3 HIGH CAGE

DOG RUN 01

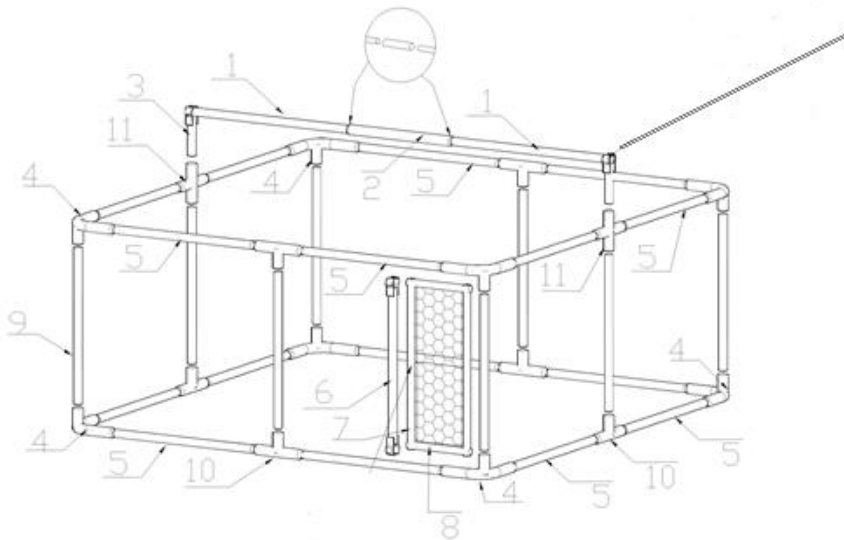


PART LIST	DIMENSION		QUANTITY
NO.1	110CM		2
NO.2	110CM		1
NO.3	28CM		2
NO.4	25X25CM		8
NO.5	125CM		16
NO.6	143CM		1

NO.7 NO.8	40X139CM		1
NO.9	140cm		8
NO.10	28X12CM		6
NO.11	28X22CM		2
NO.12	LOCK		1
NO.13	DOOR SPINDLE (USE SCREWS 18)		2
No.14	HOOK TO FIT WIRE MESH TO DOOR FRAME		8
No.15	CLAMP BRACKET		4 PAIRS
No.16	SCREWS M6X50		52

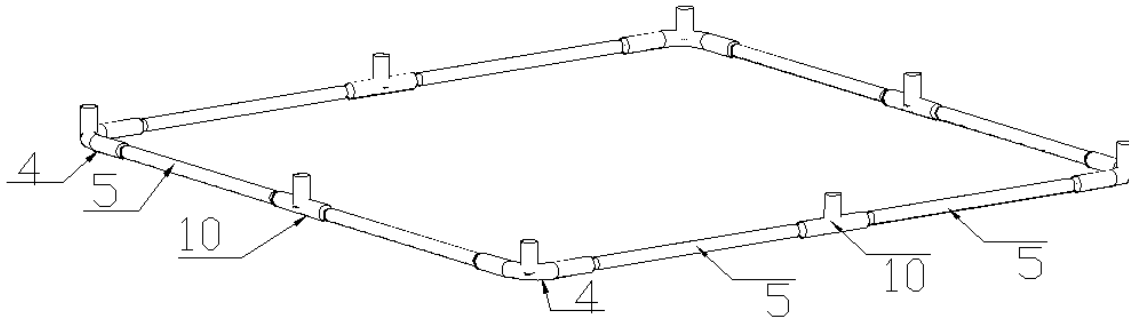
No.17	SCREWS FOR BRACKET M6X50		6
No.18	SCREW FOR DOOR SPINDLE M6X30		5
No.19	WIRE TUBE FOR BEGINNING AND END OF WIRE MESH ROLL		2
No.20	TUBE CAP FOR TWO ENDS OF TOP TUBE		2
CABLE TIE		20M/ROLL	1
GALVANIZED WIRE MESH		144X1250CM	1

SET UP FRAME AS BELOW ILLUSTRATION



STEP I - Base

Connect tubes No.5 by connector No.4 and No. 10 with screw no 16 as below illustration

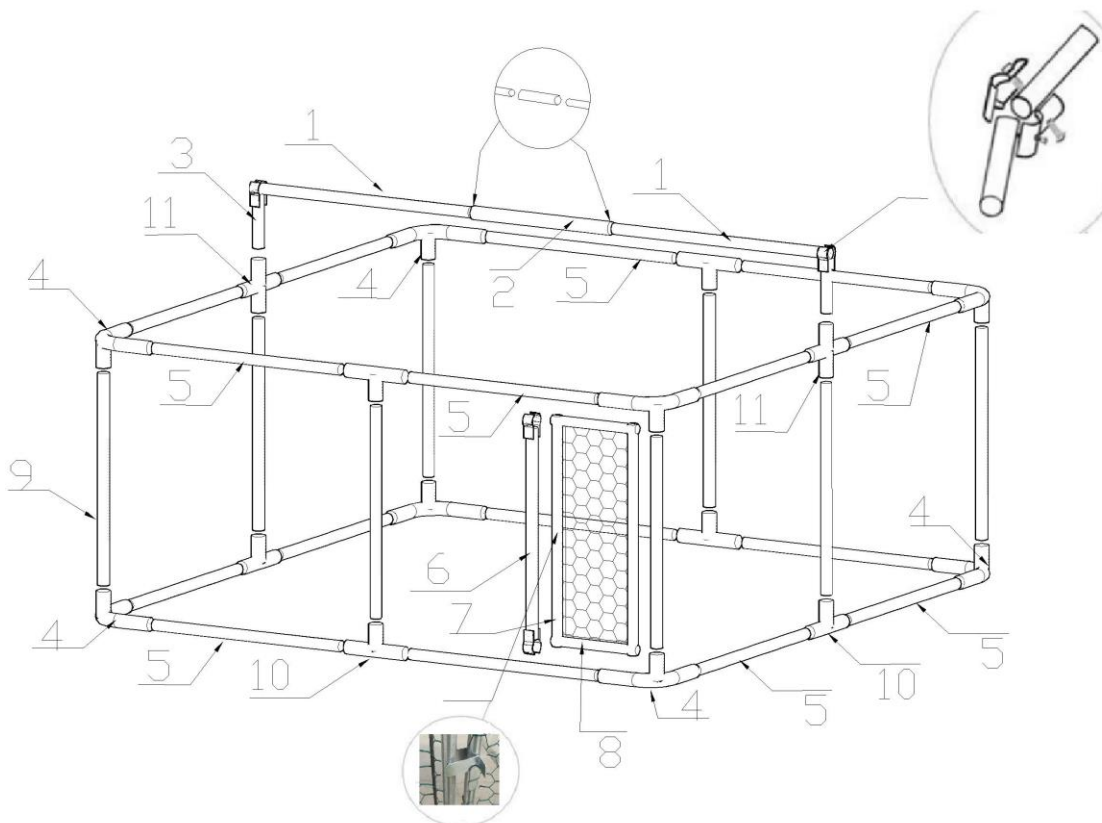


Step II

Fit uprights (pole 9) into connectors 4 and 10, and 11 secure with screw 16.

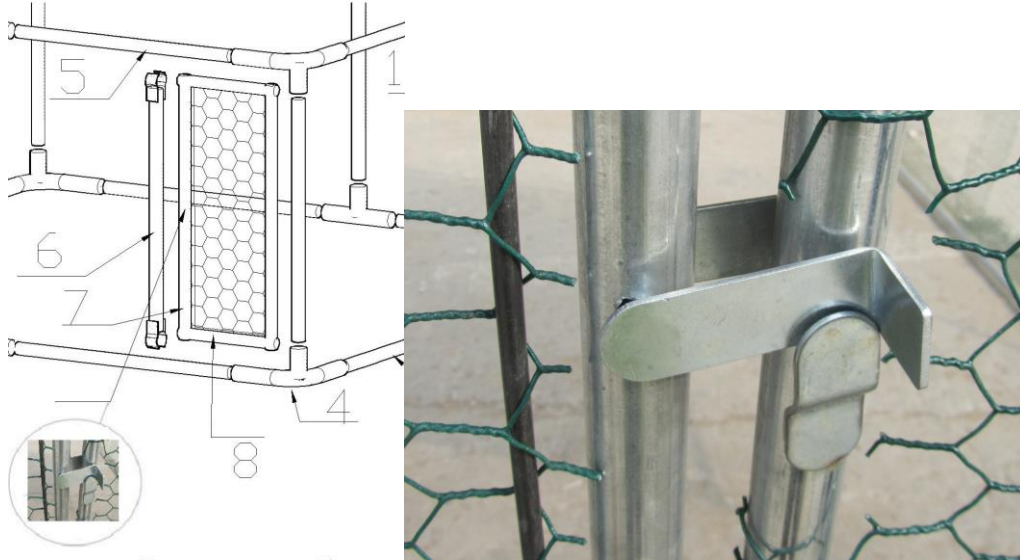
complete top of the frame with pole 5, securing with screw 16.

If you are fitting the optional sun shade then complete the top spine like diagram below, use both screw 16 and 17 along with clamp 15 to secure poles 1 to the small upright pole 3, see picture below inventory list.



Step III

Install door frame as below illustration, pole 6 is secured with bracket 15, secure into place with only screw 17



STEP IV

Use the metal hooks (part 14) to hold wire roll to the door frame (see below pictures) before walking the roll around the frame and securing again at the end. You can then use the wire provided or cable ties to secure the mesh to the upper and lower frame.

The outdoor cover may not be included as standard depending on the advert you purchased off. If it is included please fit with the elastic toggles as show below.

